

SOLENOID VALVES

“LIQUID, SUCTION AND DISCHARGE”

1. 2041 SERIES “flare SAE” & “ODS”

DESCRIPTION

- Forged brass body. “teflon” seat and diaphragm.
- Capsulated coils **DIN 43650** connection and **IP65** protection.
- **Luminous DIN** connector (you can see “ON”/“OFF” valve) on request.
- **Flare “SAE”** connections or “**ODS**” brazing ends (ODS copper tube extension does not require the valve to be disassembled).
- Minimum pressure differential for opening: **0,07 bar** (1 psi) and **0,00 bar** (0 psi) for 1/4” type.
- Maximum opening pressure differential:
 - 21 bar** (300 psi) for alternating currents
 - 10 bar** for direct currents.
- Working temperature range: **-40°C** to **+115°C** (-40°F to 230°F).
- Maximum working pressure: **35 bar**.
- CE approved (PED).

Part numbers including 230 V / 50 Hz coil

NOTE: See all coils

PART NUMBER	CONNECTIONS (flare or ODS)	“KV” COEFFICIENT	REPAIR KIT number
2041-BT-2	1/4” male flare	0,16	K41-T1
2041-BT-3	3/8” male flare	1,20	K041-T1
2041-BT-4	1/2” male flare	1,40	K041-T1
2041-BT-5	5/8” male flare	2,50	K41-T3
2041-BT-2S2	1/4” ODS	0,16	K41-T1
2041-BT-3S3	3/8” ODS	1,20	K041-T1
2041-BT-4S4	1/2” ODS	1,40	K041-T1
2041-BT-4S5	5/8” ODS	1,40	K041-BT1
2041-BT-5S5	5/8” ODS	2,50	K41-T3
2041-BT-5S6	3/4” ODS	2,70	K41-T3
2041-BT-5S7	7/8” ODS	2,70	K41-T3

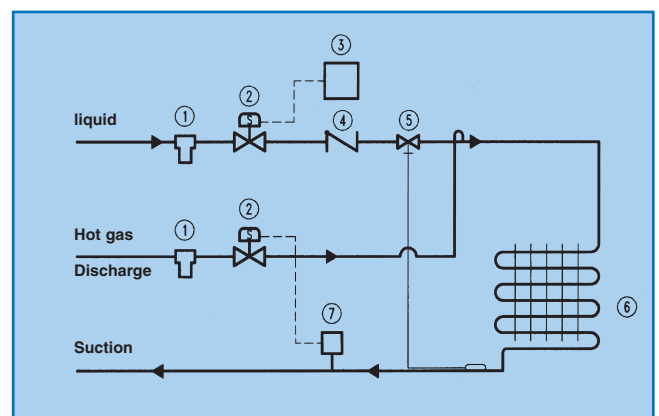
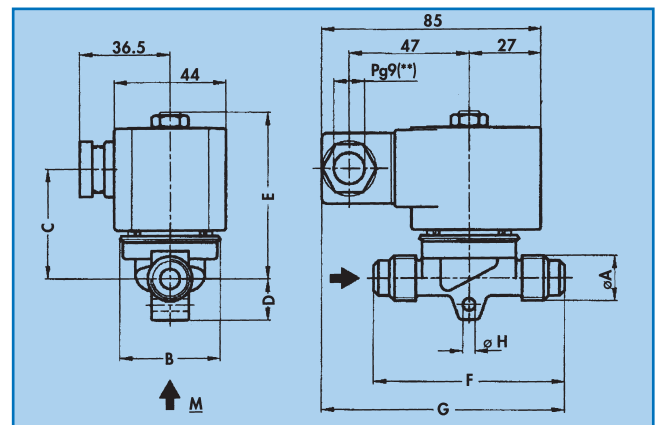
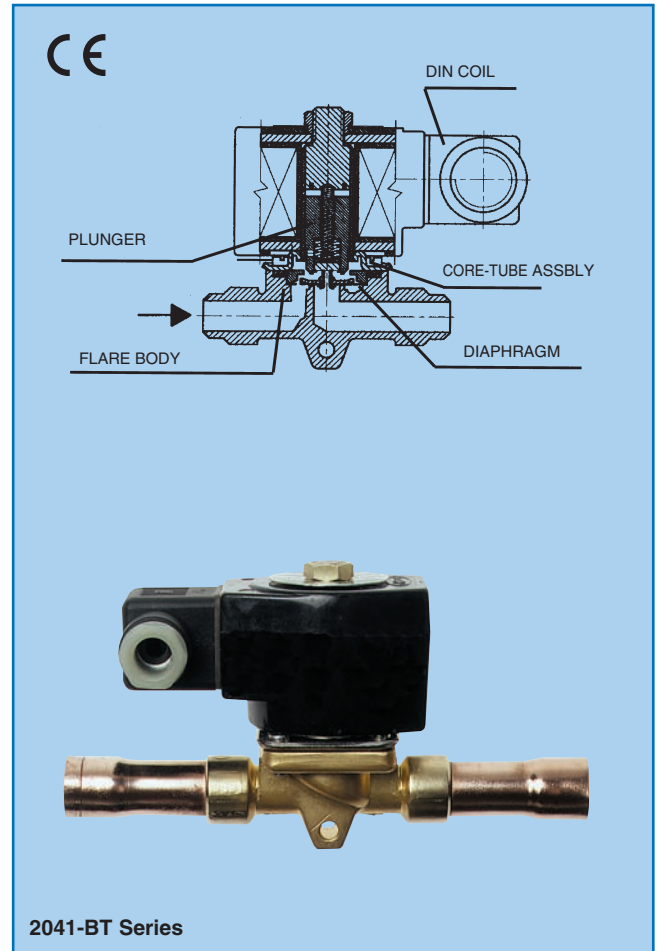
DIMENSIONS

PART NUMBER	CONNECTIONS (flare or ODS)	DIMENSIONS (mm)							
		A	B	C	D	E	F	G	H
2041-BT-2	1/4” male flare	-	30	53	8	64	59	87	-
2041-BT-3	3/8” male flare	-	41	67	18	65	77	96	-
2041-BT-4	1/2” male flare	-	41	67	18	65	77	96	-
2041-BT-5	5/8” male flare	-	55	98	19	76	102	109	7
2041-BT-2S2	1/4” ODS	7	30	53	8	65	115	116	-
2041-BT-3S3	3/8” ODS	10	41	67	18	65	150	133	5
2041-BT-4S4	1/2” ODS	13	41	67	18	65	150	133	5
2041-BT-4S5	5/8” ODS	16	41	67	18	65	150	133	5
2041-BT-5S5	5/8” ODS	16	55	98	19	76	170	143	7
2041-BT-5S6	3/4” ODS	19	55	98	19	76	170	143	7
2041-BT-5S7	7/8” ODS	24	55	98	19	76	170	143	7

TYPICAL APPLICATION

(AT chamber regulation w / relative humidity control)

- 1: Strainer
- 2: Solenoid valve
- 3: Thermostat
- 4: Check-valve
- 5: Thermostatic exp. vlv.
- 6: Evaporator
- 7: Pressure switch (other)



2. 1342 SERIES "ODS" MODELS

DESCRIPTION

- Forged brass body, "brass" piston and "teflon" seat.
- Capsulated coils **DIN 43650** connection and **IP65** protection.
- **Luminous DIN** connector (you can see "ON"/"OFF" valve) on request.
- "ODS" brazing connections (ODS copper tube extension).
- Minimum pressure differential for opening: **0,20 bar** (3 psi).
- Maximum opening pressure differential:
21 bar (245 psi) for alternative currents
13 bar for direct currents.
- Working temperature range: **-40°C to +115°C** (-40°F to 230°F).
- Maximum working pressure: **35 bar**.

ORDERING OPTIONS

- **MO**: To be added to the solenoid valve reference when you need a valve with a **MANUAL OPENING STEM**.
- **NO**: To be added to the solenoid valve reference when you need **NORMALLY OPEN VALVE**.
- CE approved (PED).

Part numbers including 230 V / 50 Hz coil

NOTE: See all coils

PART NUMBER	CONNECTIONS	"KV" COEFFICIENT	REPAIR KIT number
1342-BT-06S06	3/4" ODS	5,0	K42-T1-S
1342-BT-06S07	7/8" ODS		
1342-BT-06S09	1 1/8" ODS		
1342-BT-08S09	1 1/8" ODS	11	K42-T2-S
1342-BT-08S11	1 3/8" ODS		

DIMENSIONS

PART NUMBER	CONNECTIONS	DIMENSIONS (mm)							
		A	B	C	D	E	F	G	H
1342-BT-06S06	3/4" ODS	23	53	69	84	27	105	24	127
1342-BT-06S07	7/8" ODS								
1342-BT-06S09	1 1/8" ODS	27	67	72	88	30	109	16	170
1342-BT-08S09	1 1/8" ODS	29							
1342-BT-08S11	1 3/8" ODS	35							

TYPICAL APPLICATION

(Multi-evapos with hot gas defrost system)

- 1: Compressor
- 2: Condenser
- 3: Receiver
- 4: Core filter drier
- 5: Strainer
- 6: Solenoid valve
- 7: Check-valve
- 8: Thermostatic exp. vlv.
- 9: Evaporator
- 10: Back pressure regulator
- 11: Liquid suction accumulator

