

PRESSURE SWITCHES

FEATURES

- Used to protect the compressor against excessive low or high pressures.
- Possibility to start or stop the compressor, fans, etc.
- SPDT (single pole double throw) switch to provide maximum contact options after installation.
- Standard accessories include mounting bracket and screws to permanently fix the switches.
- Factory set switches also available for OEM applications.
- For use with all CFC, HFC and HCFC refrigerants as well as with air and water (allowable fluid temperature: -45°C to +135°C).
- Type HPS for universal application.
- Micro-switch ensures reliable switching.
- Various contact functions available.
- CE, TÜV, GS approved.



SINGLE TYPE - SPECIFICATIONS

PART NUMBER	PRESSURE RANGE (bar)		DIFFERENTIAL (bar)		FACTORY SETTING (bar)		Wt (kg)
	Min	Max	Min	Max	Off (On)	On (Off)	
PSBS-02*	-0,5	3	0,35	2	0,5	1,5	0,42
PSBS-04*	-0,5	6	0,6	4	2	3	
PSBS-03*	1	10	1	3	4	6	
PSBS-05*	5	20	3	5	15	12	
PSBS-10*	5	30	3	10	20	15	

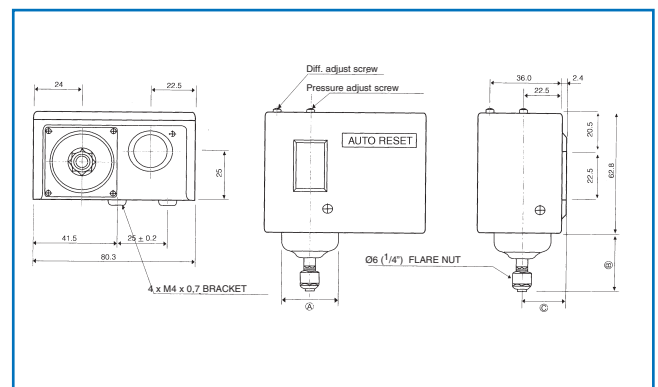
* For manual model, add M to the part number. Example: PSBS-02 (auto) PSBS-02M (manual).

SINGLE TYPE - ELECTRICAL RATING

RATED AMPS (A)	RATED VOLTAGE (V)	
	AC 125V	AC 250V
Non-inductive current	10A	5A
Full load	8,5A	4,5A
Starting	40A	20A

SINGLE TYPE - DIMENSIONS

PART NUMBER	A	B	C
PSBS-02	38,5	38,9	22,4
PSBS-04	34,4	36	22,4
PSBS-03	34,4	36	22,4
PSBS-05	22	32,7	18,5
PSBS-10	22	32,7	18,5



DUAL TYPE - SPECIFICATIONS

PART NUMBER		PRESSURE RANGE (bar)		DIFFERENTIAL (bar)		FACTORY SETTING (bar)		Wt (kg)
		Min	Max	Min	Max	Off (On)	On (Off)	
PSBD-606	Low side	-0,5	6	0,6	4	2	3	0,61
	High side	8	30	approx. 4 fixed		20	16	
PSBD-606M	Low side	-0,5	6	0,6	4	2	3	
	High side	8	30	manual reset		20	manual reset	

DUAL TYPE - ELECTRICAL RATING

RATED AMPS (A)	RATED VOLTAGE (V)	
	AC 125V	AC 250V
Non-inductive current	10A	5A
Full load	8,5A	4,5A
Starting	40A	20A

DIMENSIONS - DUAL TYPE

